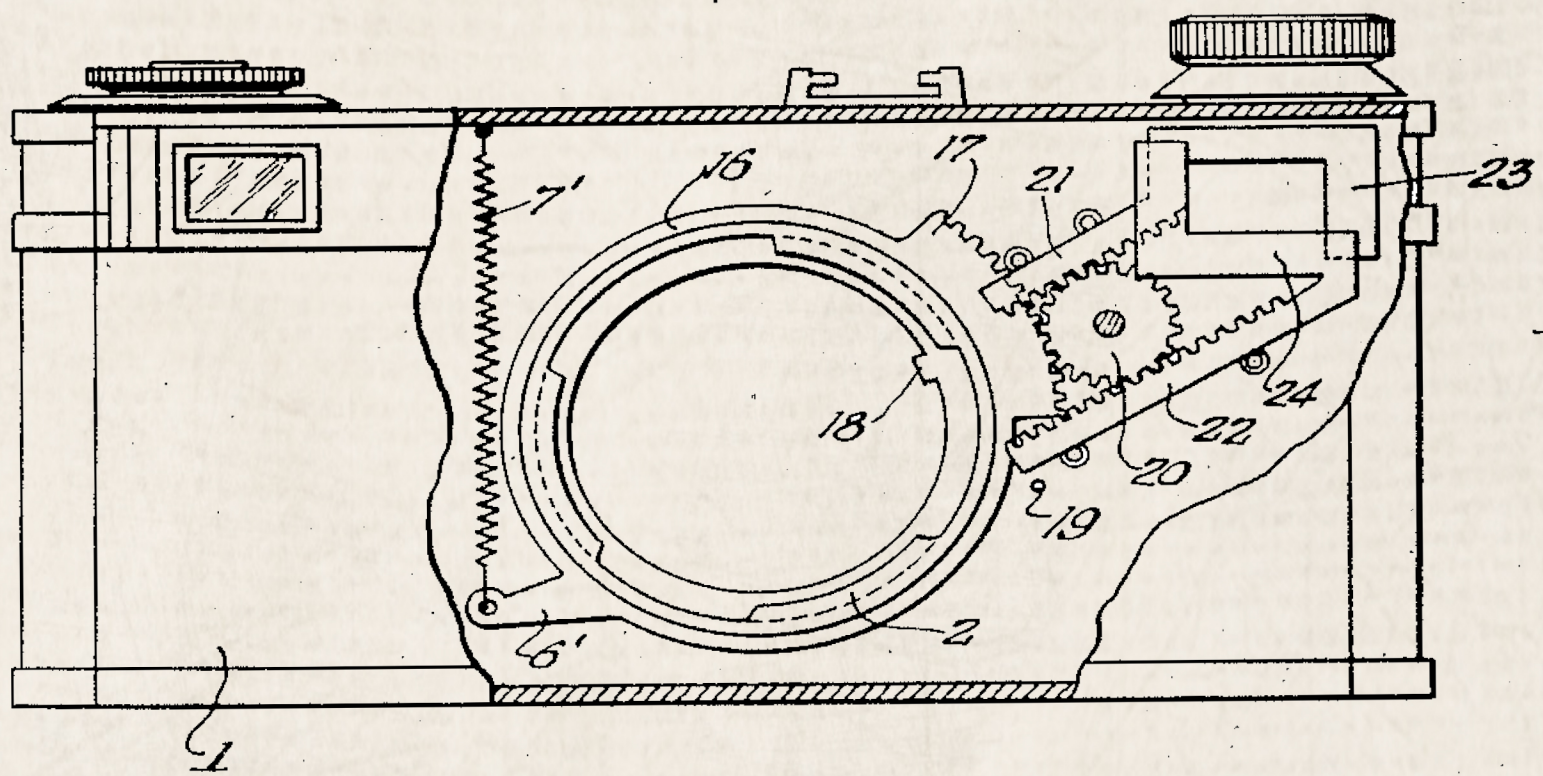
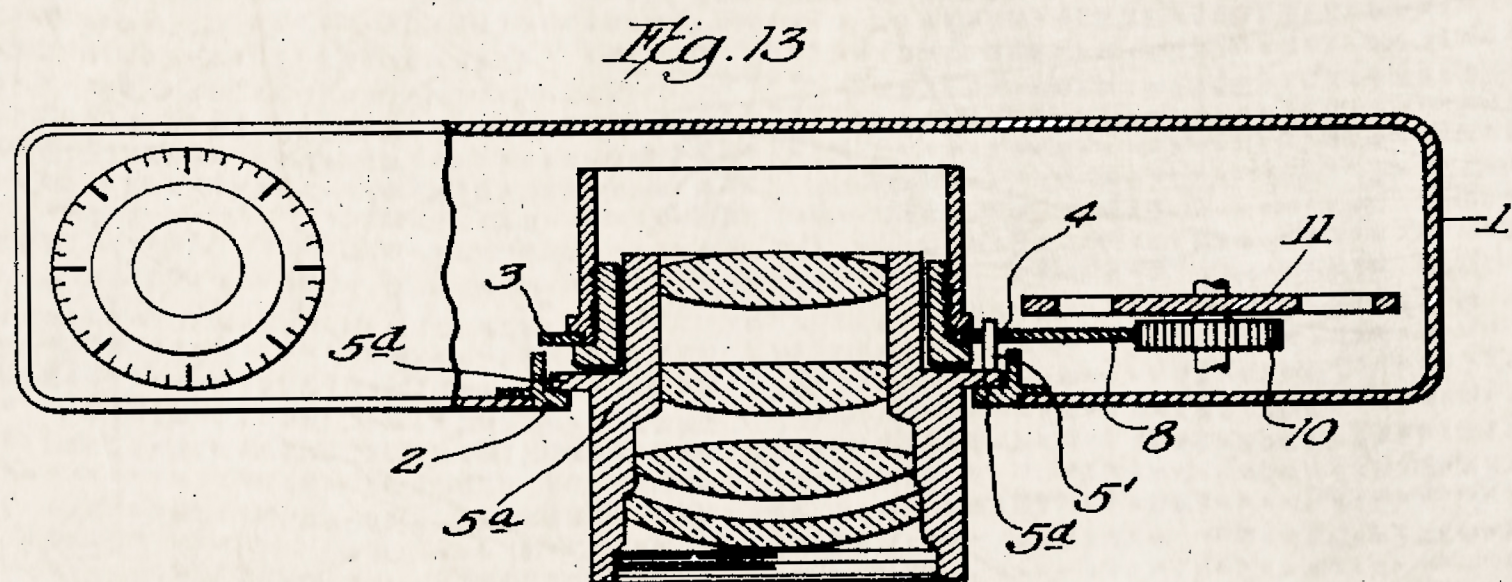
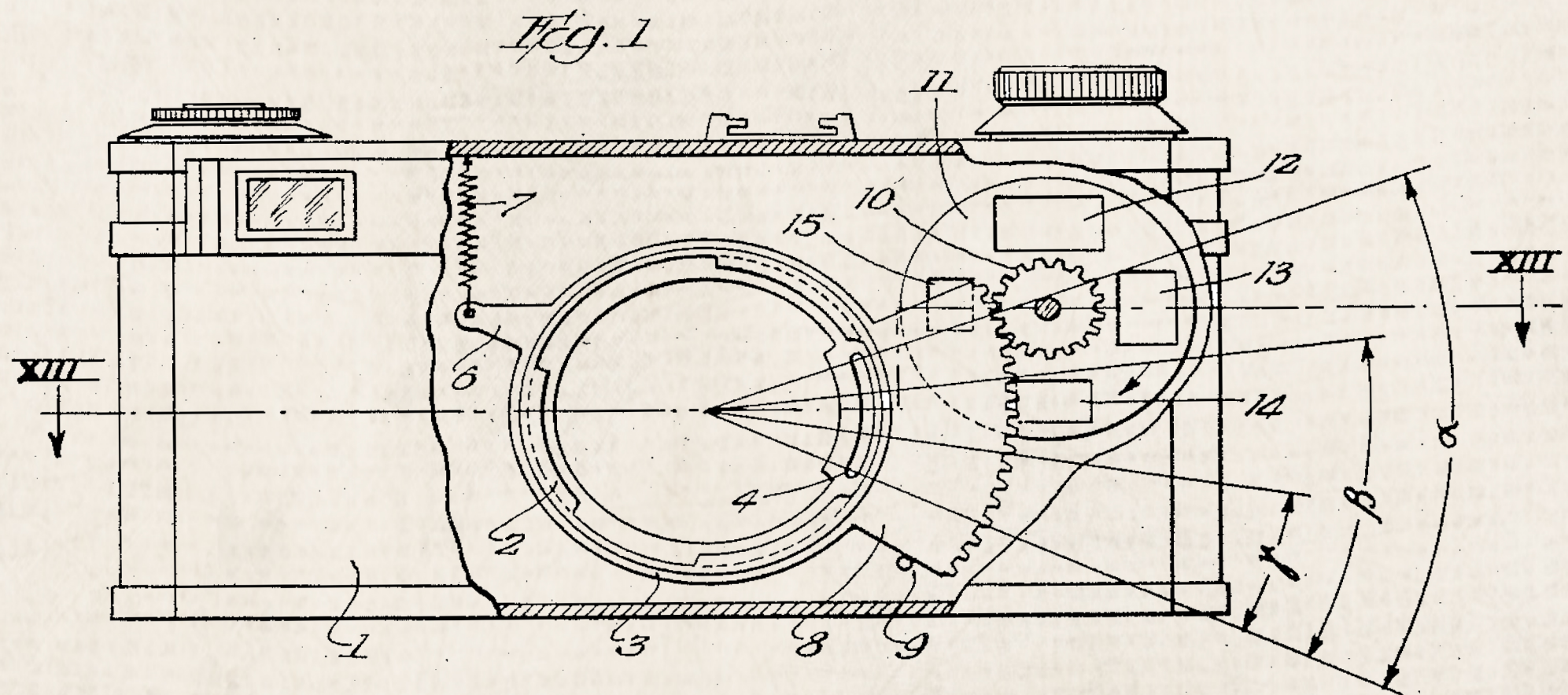


H. NERWIN  
PHOTOGRAPHIC CAMERA

No. 2,187,246

Jan. 16, 1940



Inventor:  
Hubert Nerwin  
By: B. Singer & F. Stern  
Attys.