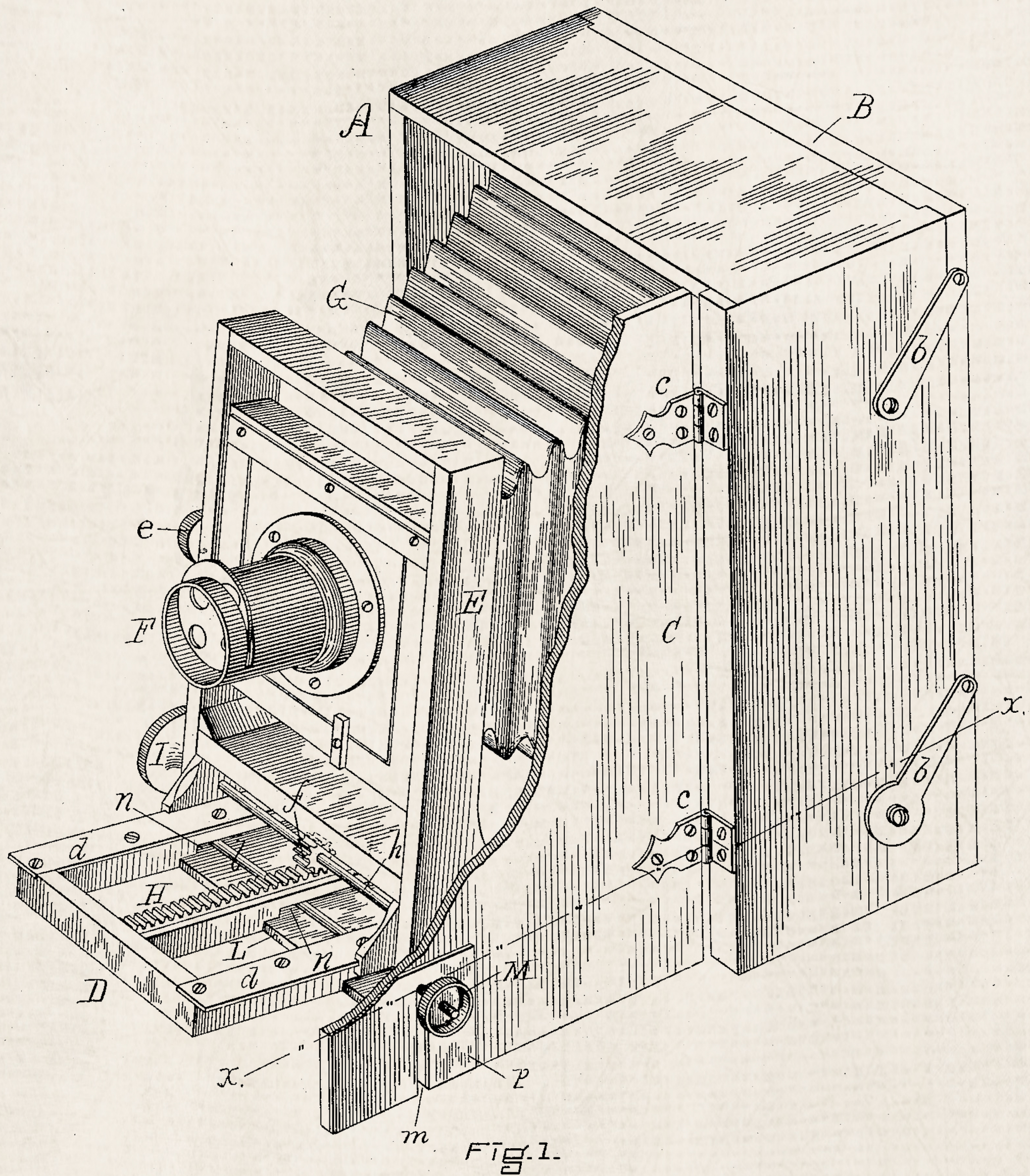


T.H. BLAIR
PHOTOGRAPHIC CAMERA

No. 362,599

May 10, 1887



WITNESSES.

H. C. Lodge
William Foster

INVENTOR.

Thos. H. Blair.

J. Curtis, atty.